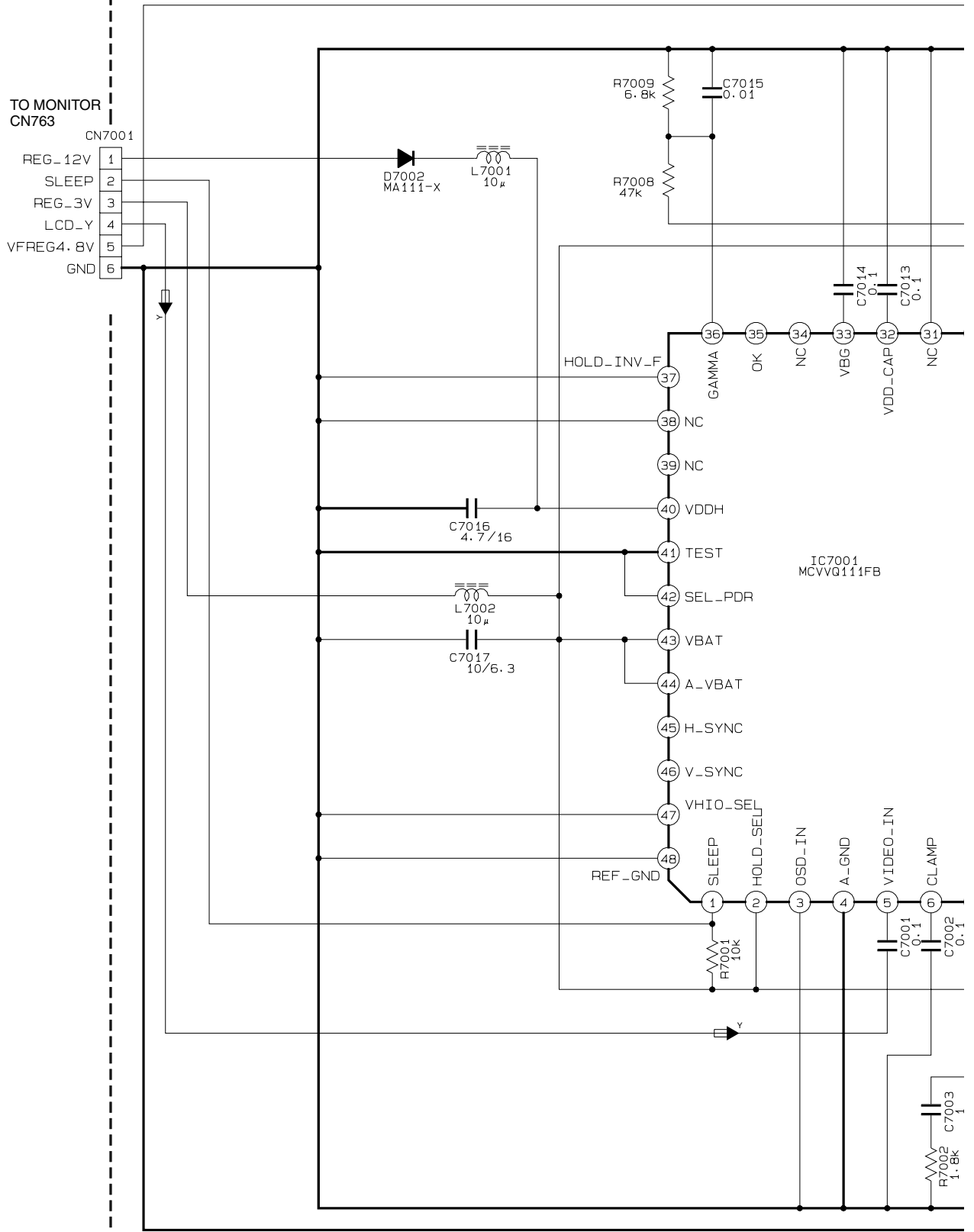


SECTION 4 CHARTS AND DIAGRAMS

4.1 B/W VF SCHEMATIC DIAGRAM [GR-DVL516ED]

0 8 B/W VF

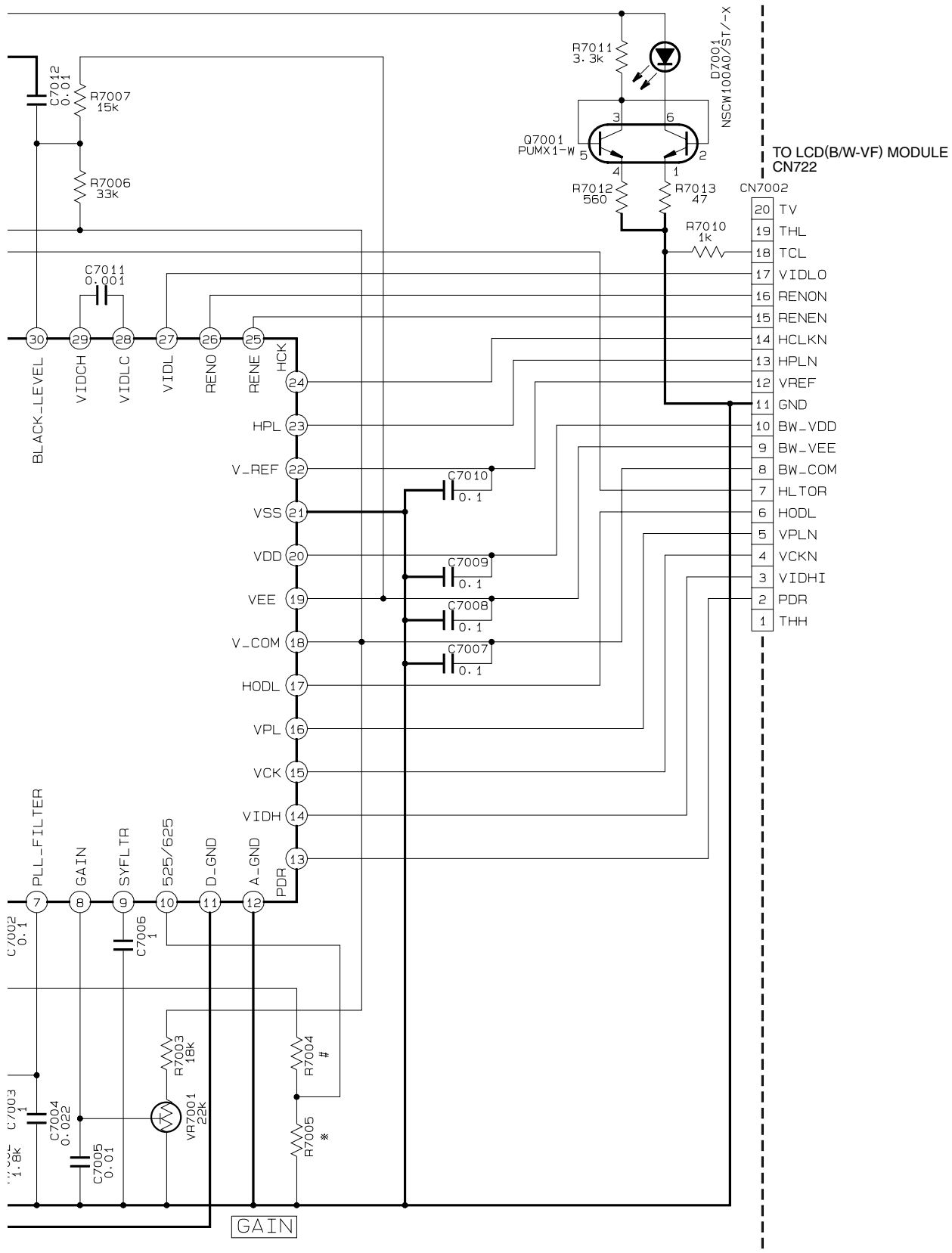


Difference table

※ NO WEAR

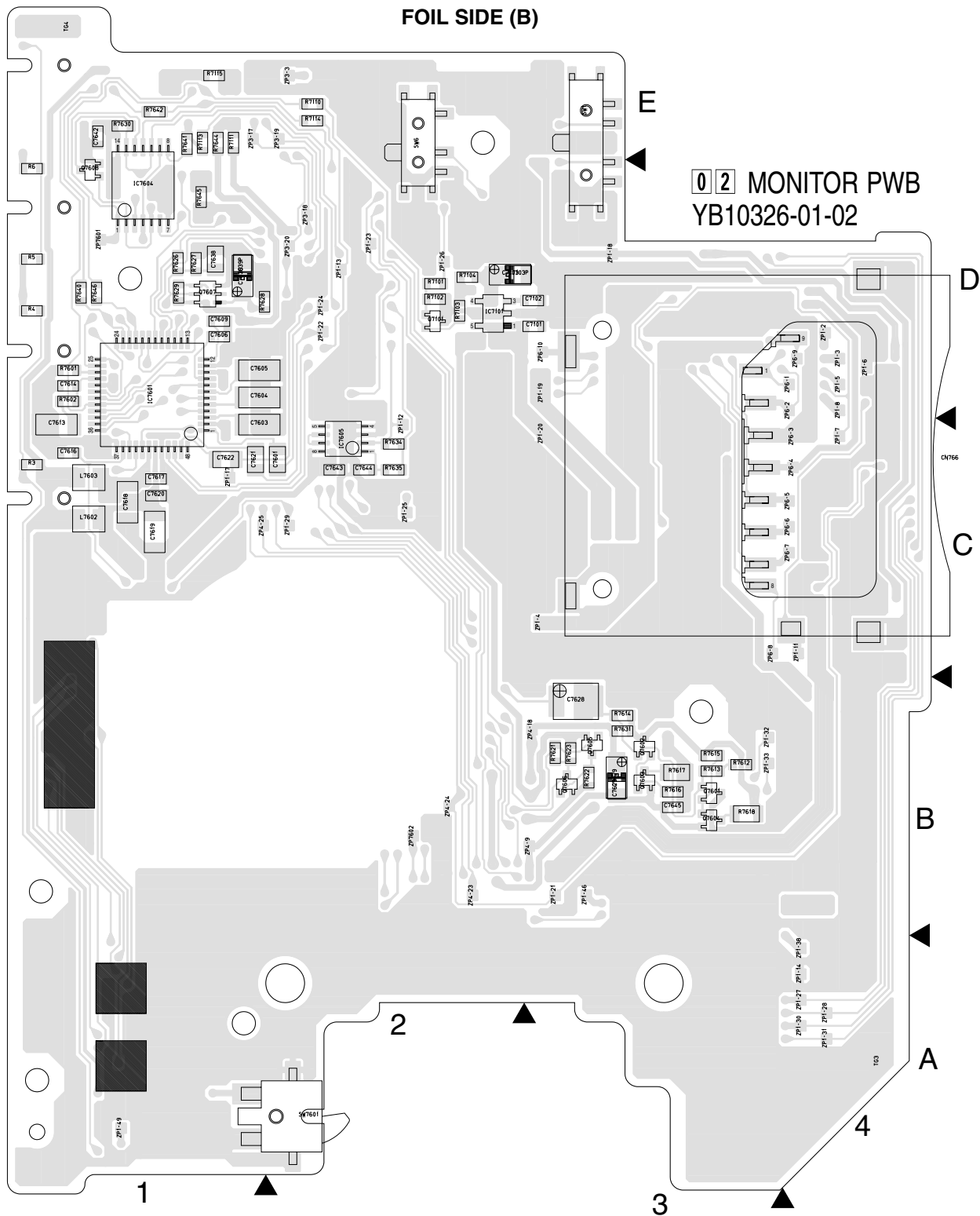
	R7004
NTSC	※
PAL	0

- NOTE 1. How to find the page showing the continuative schematic diagram.
 Example) TO SYSCON: Refer to the GR-DVL355EG, DVL557EG service manual (NO. 86614).
 TO SYSCON: Refer to this service manual.
2. The mark ★ means modified points.
3. When ordering parts, be sure to order according to the Part Number indicated in the Parts List.



y30149001a_rev0

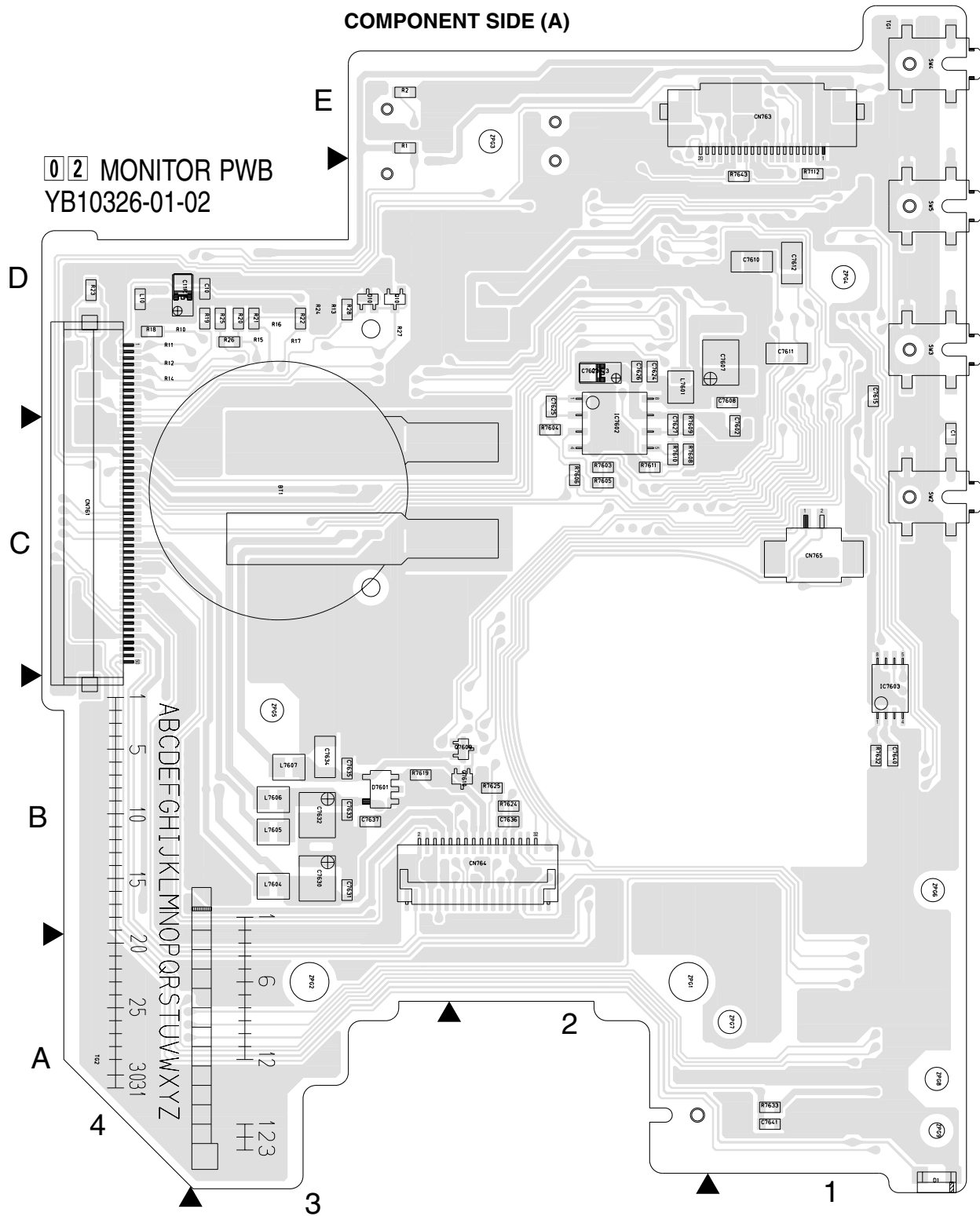
4.2 MONITOR CIRCUIT BOARD



COMPONENT PARTS LOCATION GUIDE <MONITOR/YB10326-01-02>

(1/2)

REF.NO.	LOCATION	REF.NO.	LOCATION	REF.NO.	LOCATION	REF.NO.	LOCATION	REF.NO.	LOCATION	REF.NO.	LOCATION	REF.NO.	LOCATION	REF.NO.	LOCATION
CAPACITOR															
C1	A C	C7608	A C	C7622	B C	C7636	A C	CN764	A C	IC7605	B C	Q7601	B C	R3	B C
C10	A C	C7609	B C	C7623	B C	C7637	A C	CN765	A C	COIL		Q7602	B C	R4	B C
C11	A C	C7610	A C	C7624	A C	C7638	B C	CN766	B C	L10	A C	Q7603	B C	R5	B C
C7101	B C	C7611	A C	C7625	A C	C7639	B C	DIODE		L7601	A C	Q7604	B C	R6	B C
C7102	B C	C7612	A C	C7626	A C	C7640	A C	D1	A C	L7602	B C	Q7605	B C	R8	A C
C7103	B C	C7613	B C	C7627	A C	C7641	A C	D10	A C	L7603	B C	Q7606	B C	R9	A C
C7601	A C	C7614	B C	C7628	B C	C7642	B C	D7601	A C	L7604	A C	Q7607	B C	R20	A C
C7602	A C	C7615	A C	C7629	B C	C7643	B C	IC		L7605	A C	Q7608	B C	R21	A C
C7603	B C	C7616	B C	C7630	A C	C7644	B C	IC7101	B C	L7606	A C	Q7609	A C	R22	A C
C7604	B C	C7617	B C	C7631	A C	C7645	B C	IC7601	B C	L7607	A C	Q7610	A C	R23	A C
C7605	B C	C7618	B C	C7632	A C	CONNECTOR		IC7602	A C	TRANSISTOR		RESISTOR			
C7606	B C	C7619	B C	C7633	A C	CN761	A C	IC7603	A C	Q10	A C	R1	A C	R26	A C
C7607	A C	C7620	B C	C7634	A C	CN763	A C	IC7604	B C	Q7101	B C	R2	A C	R28	A C
		C7621	B C	C7635	A C									R7101	B C



COMPONENT PARTS LOCATION GUIDE <MONITOR/YB10326-01-02>

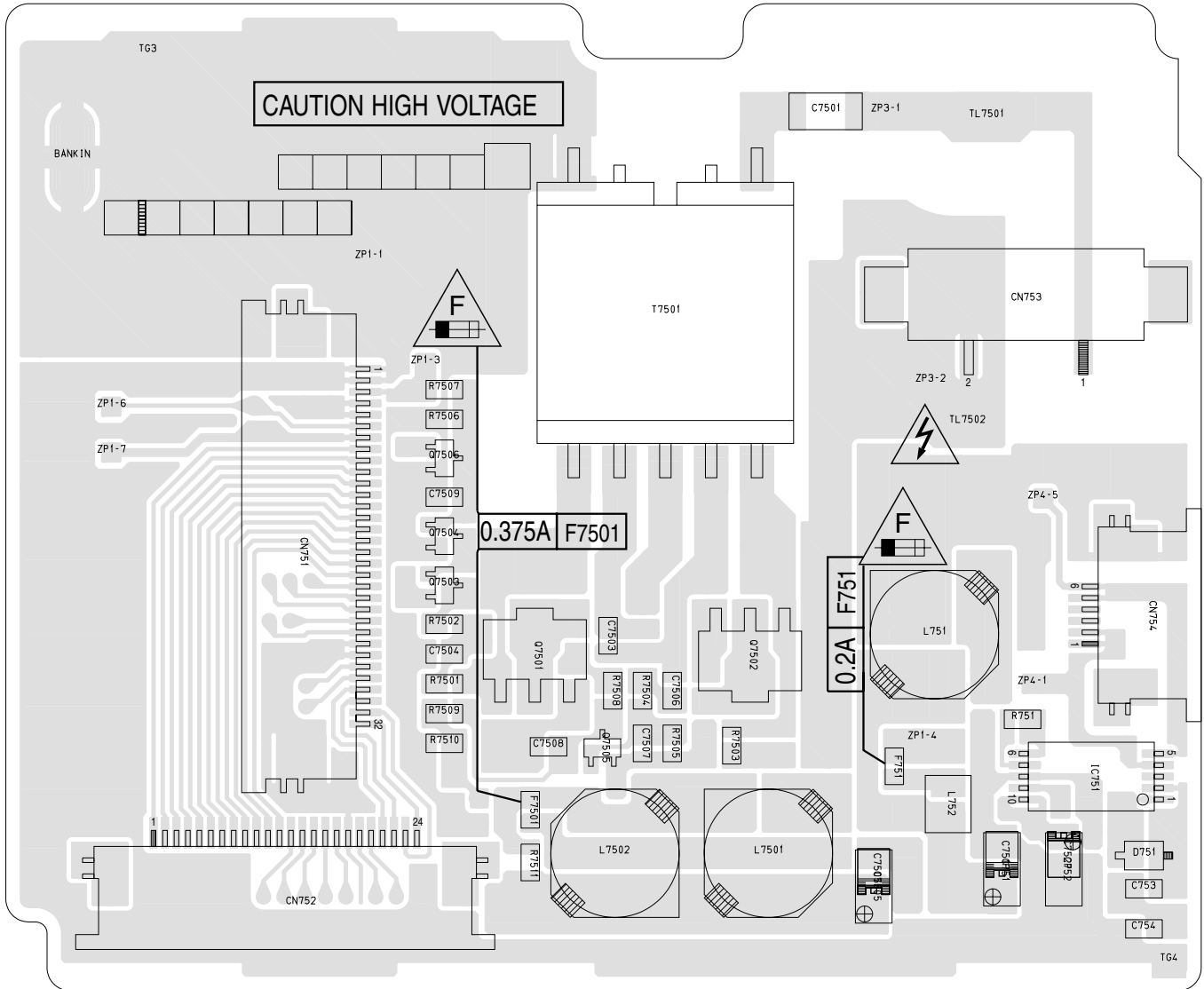
(2/2)

REF.NO.	LOCATION	REF.NO.	LOCATION	REF.NO.	LOCATION	REF.NO.	LOCATION	REF.NO.	LOCATION	REF.NO.	LOCATION	REF.NO.	LOCATION	REF.NO.	LOCATION	REF.NO.	LOCATION
R7606	A C 2C	R7622	B C 3B	R7640	B C 1D	C7639P	B C 1D	ZP1-5	B C 4D	ZP6-9	B C 4D	ZP1-26	B C 2D	ZP3-20	B C 2D	ZPG7	A D 1A
R7608	A C 2C	R7623	B C 3B	R7641	B C 1E	SW1	B C 3E	ZP1-6	B C 4C	ZP1-11	B C 4C	ZP1-27	B C 3B	ZP4-18	B C 3B	ZPG8	A D 1A
R7609	A C 2C	R7624	A C 2B	R7642	B C 1E	SW2	A C 1C	ZP1-7	B C 4C	ZP1-12	B C 2C	ZP1-28	B C 2B	ZP4-23	B C 2B	ZPG9	A D 1A
R7610	A C 2C	R7625	A C 2D	R7643	A C 1D	SW3	A C 1D	ZP1-8	B C 4D	ZP1-13	B C 2D	ZP1-29	B C 2C	ZP4-24	B C 2C		
R7611	A C 2C	R7626	B C 1D	R7644	B C 1E	SW4	A C 1E	ZP3-3	B C 2E	ZP1-14	B C 4A	ZP1-30	B C 4A	ZP4-25	B C 4A		
R7612	B C 3B	R7627	B C 1D	R7645	A C 1D	SW5	A C 1D	ZP4-9	B C 3B	ZP1-17	B C 1C	ZP1-31	B C 1C	ZP6-10	B C 3D		
R7613	B C 3B	R7628	B C 1D	R7646	B C 1D	SW6	B C 2E	ZP6-1	B C 4D	ZP1-18	B C 3D	ZP1-32	B C 3B	ZP7601	B C 1D		
R7614	B C 3B	R7629	B C 1D				B C 2A	ZP6-2	B C 4D	ZP1-19	B C 3D	ZP1-33	B C 3B	ZP7602	C D 2B		
R7615	B C 3B	R7630	B C 1E	OTHER			SW7601	A C 4C	ZP1-20	B C 3C	ZP1-34	B C 4A	ZP1-38	A	D 2A		
R7616	B C 3B	R7631	B C 3B	BT1	A C 3C	TM1	A C 4E	ZP6-4	B C 4C	ZP1-21	B C 3B	ZP1-46	B C 3B	ZPG3	A D 3A		
R7617	B C 3B	R7632	A C 1B	C11P	A C 4D	TM3	A C 4E	ZP6-5	B C 4C	ZP1-22	B C 2D	ZP1-49	B C 1A	ZPG2	A D 2E		
R7618	B C 3B	R7633	A C 1A	C7103P	B C 2D	TM3	B C 4D	ZP6-6	B C 4C	ZP1-23	B C 2D	ZP3-17	B C 1E	ZPG4	A D 1D		
R7619	A C 3B	R7634	B C 2C	C7623P	A C 2D	ZP1-2	B C 4D	ZP6-7	B C 4C	ZP1-24	B C 2D	ZP3-18	B C 2D	ZPG5	A D 3B		
R7621	B C 3B	R7635	B C 2C	C7629P	B C 3B	ZP1-4	B C 3C	ZP6-8	B C 3C	ZP1-25	B C 2C	ZP3-19	B C 2E	ZPG6	A D 1B		

4.3 LCD BL CIRCUIT BOARD

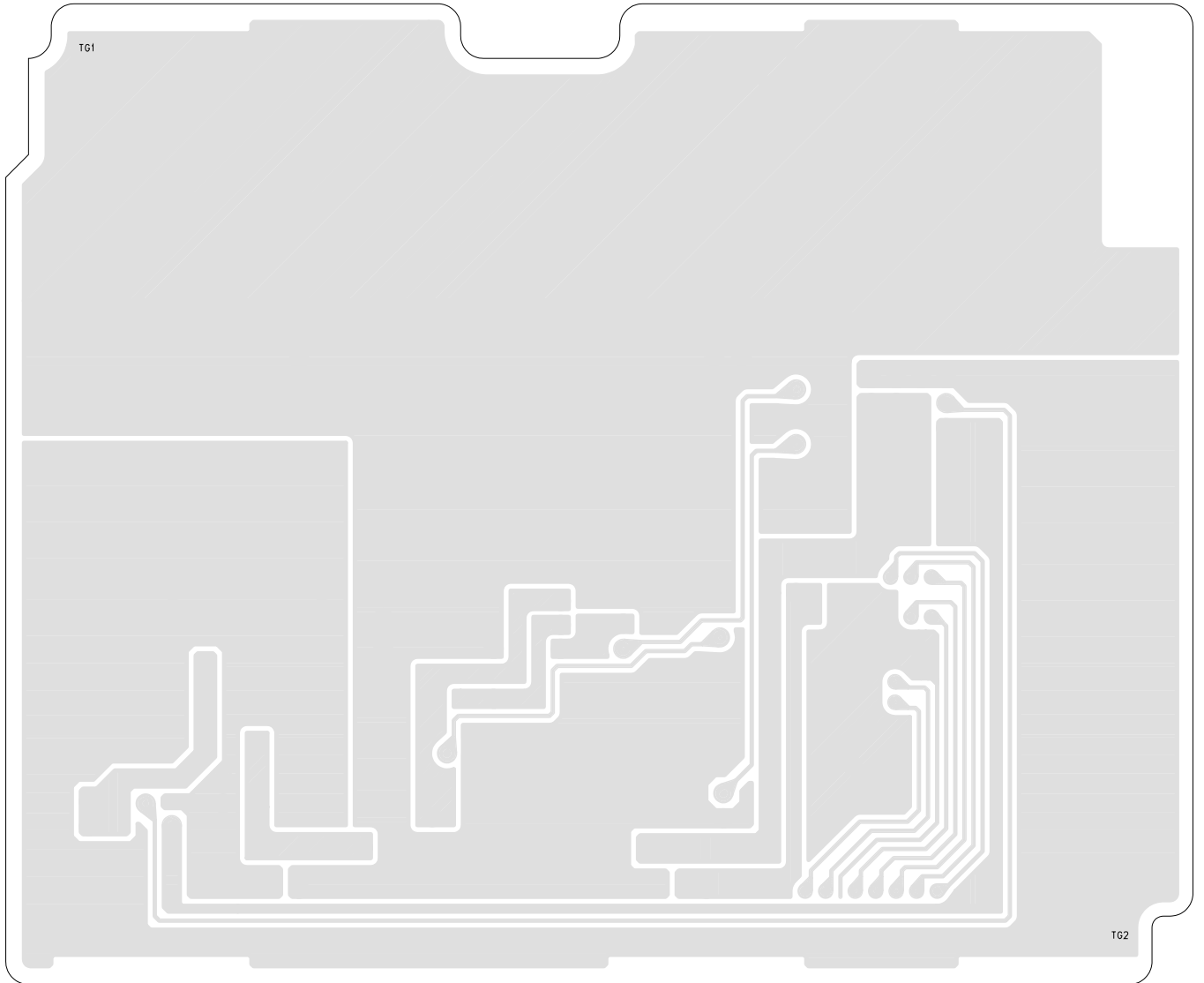
FOIL SIDE (B)

03 LCD BL PWB
YB10325-01-03



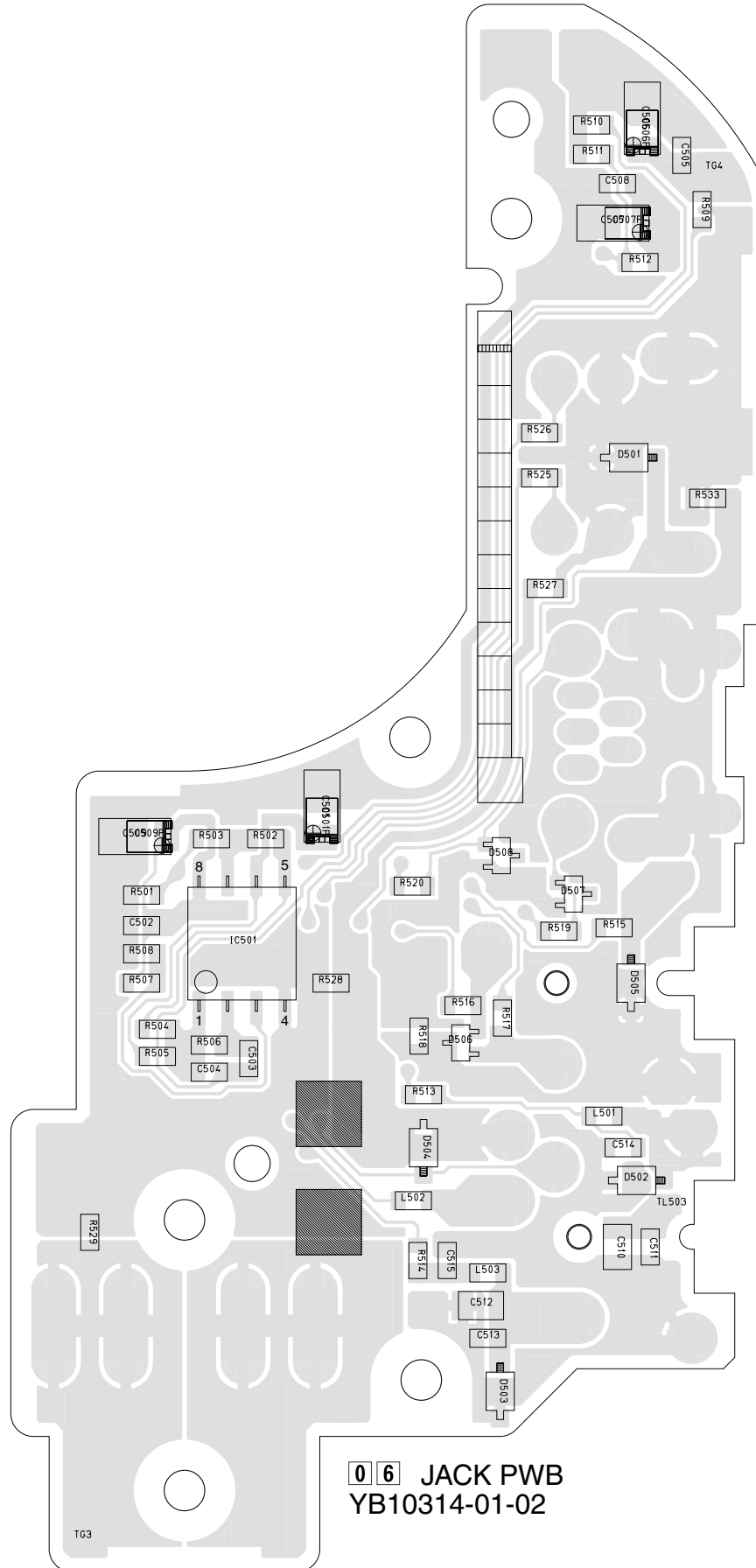
COMPONENT SIDE (A)

03 LCD BL PWB
YB10325-01-03



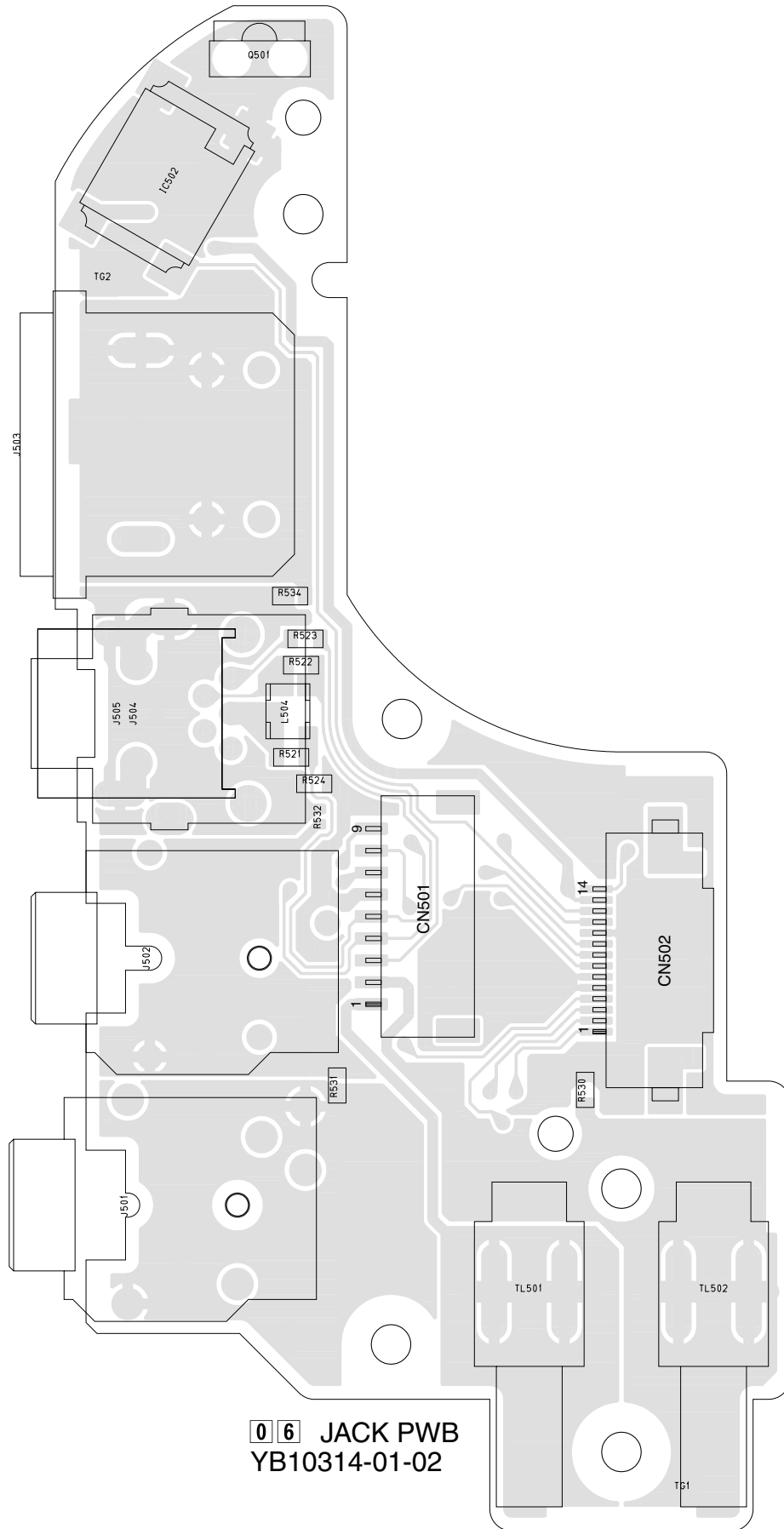
4.4 JACK CIRCUIT BOARD

FOIL SIDE(B)



06 JACK PWB
YB10314-01-02

COMPONENT SIDE(A)

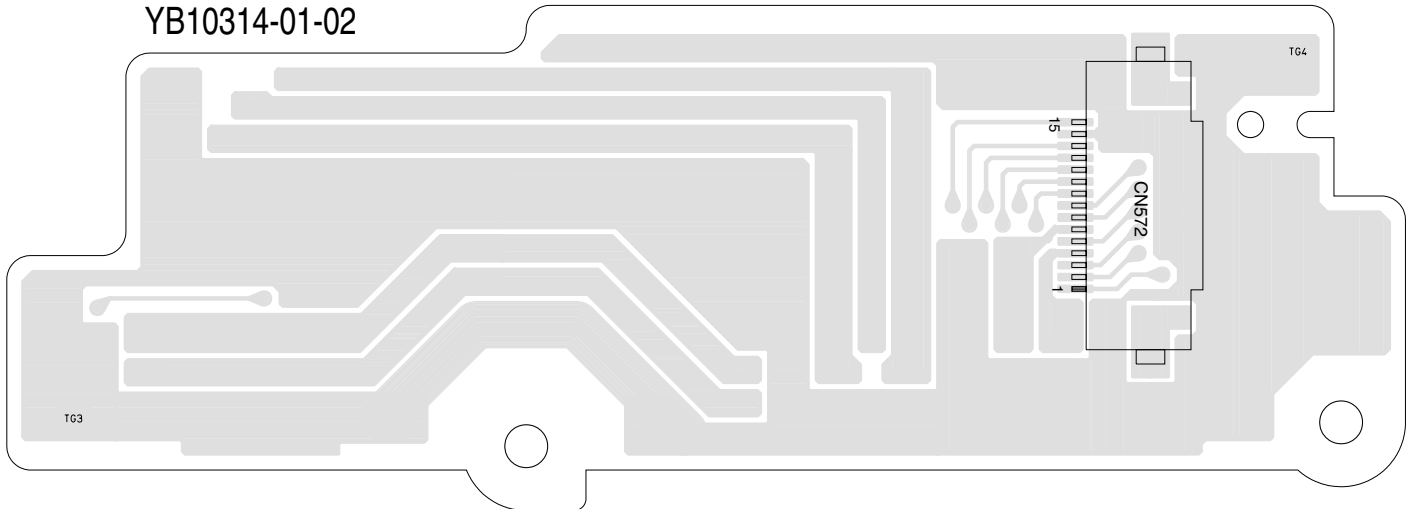


06 JACK PWB
YB10314-01-02

4.5 JUNCTION CIRCUIT BOARD

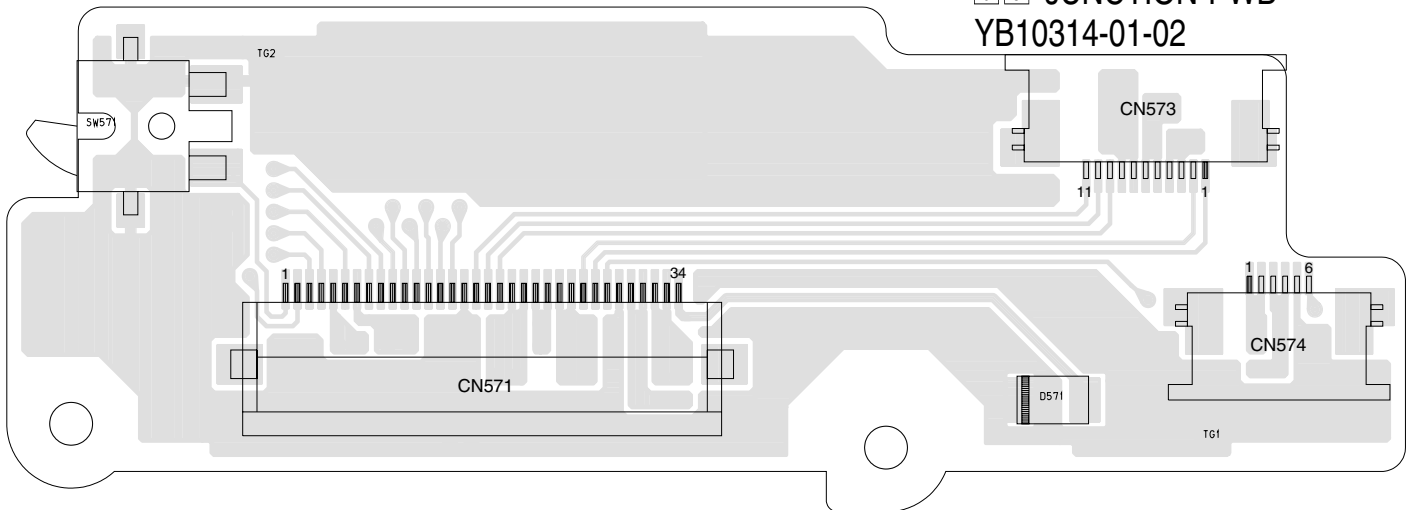
05 JUNCTION PWB
YB10314-01-02

FOIL SIDE(B)



COMPONENT SIDE(A)

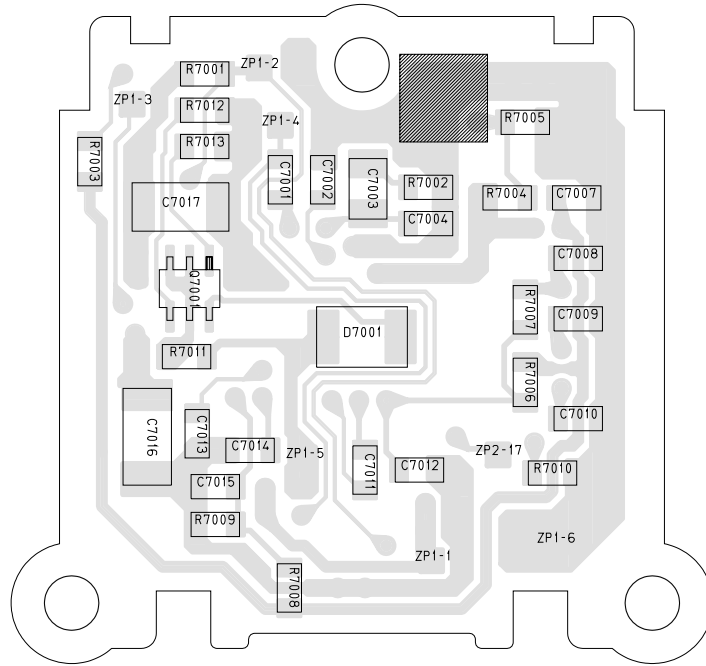
05 JUNCTION PWB
YB10314-01-02



4.6 B/W VF CIRCUIT BOARD [GR-DVL516ED]

FOIL SIDE (B)

08 B/W VF PWB
YB20910



COMPONENT SIDE (A)

08 B/W VF PWB
YB20910

